

# AMTRON<sup>®</sup> BASIC E/R

WALLBOX FOR ELECTRIC VEHICLES



MENNEKES AMTRON<sup>®</sup> designed for private and semi-public use

# Variants

Key switch	Key switch
Calibrated digital energy meter	Calibrated digital energy meter
	Personal protection
LED status display Reset function button	LED status display Multifunction button

## Basic E

## Basic R

### Charging socket type 2 with hinged lid

	Order no.		Order no.
3,7 / 7,4 kW *	1353400	11 kW	1353451
	1353401		



### Charging socket with shutter (version „T2S“)

	Order no.		Order no.
3,7 / 7,4 kW *	1353600	3,7 / 7,4 kW *	1343680
	1353601		11 kW



### 7,5 meter permanently connected charging cable with connector type 2 (version „C2“)

	Order no.		Order no.
7,4 kW	1353203	22 kW	1353252
	1353202		

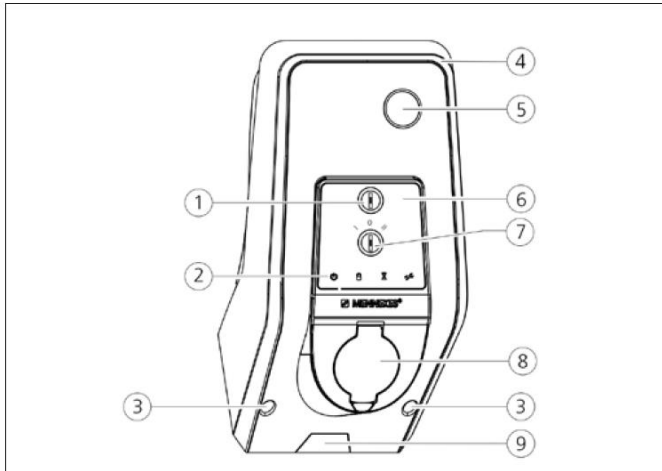


\*If AMTRON is configured to more than 20A via the dip switches, all charging cables with less than  $\leq 20A$  are rejected, which means that charging cannot be carried out. In this state only 32A cables are accepted.

# Product features

- Overall
  - Charging acc. Mode 3 (IEC 61851)
  - Vehicle connectors and charging socket acc. IEC 62196
  - Charging capacity up to 22kW
  - Status information through LED info bar
  - Unlocking function in case of power failure (only for devices with charging socket type 2)
  - Integrated cable suspension
- Authorisation by key switch
- Multifunction button
  - Stop function (adjustable parameters; deactivated by default)
  - Reset function
  - Re-activating of RCD (only with integrated RCD)
- Enclosure
  - Enclosure made of AMELAN®

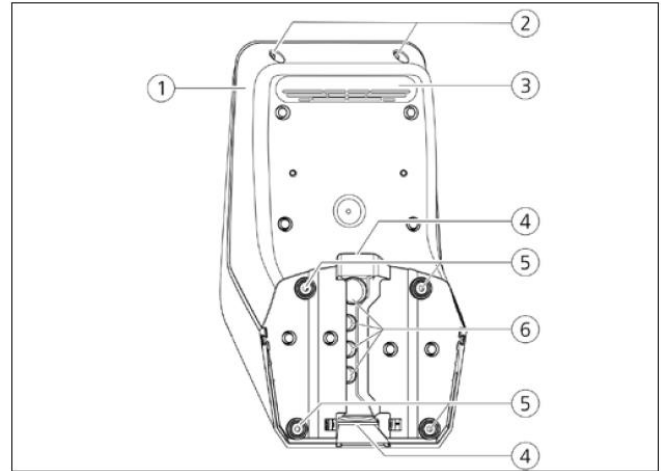
# Assembly

**Front view**


1. Multifunction button or reset button <sup>1)</sup>
2. LED Info bar
3. Fastening screws für upper housing part
4. Upper enclosure section
5. Inspection window for energy meter
6. Front panel
7. Key switch
8. Charging socket type 2 with hinged lid <sup>2)</sup>
9. Pre-cut recess for supply cable /cable duct

<sup>1)</sup> depending on the variant

<sup>2)</sup> depending on the variant

**Rear view**


1. Lower enclosure part
2. Fastening screws for upper housing part
3. Passive ventilation
4. Recess for supply line/ cable duct
5. Fastening holes
6. Cable entries

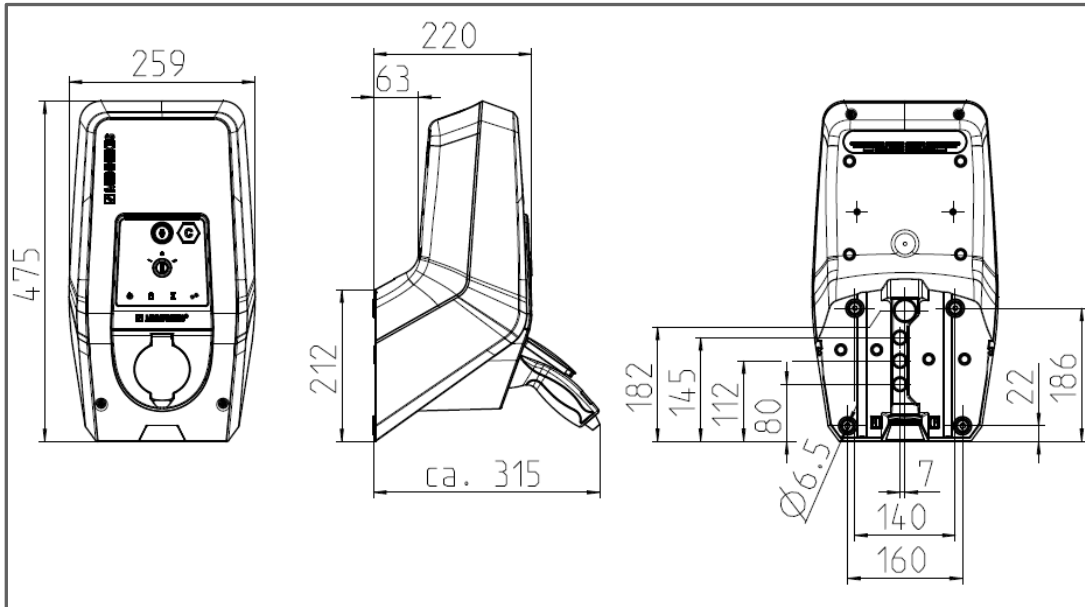
# Technical data

Type-dependent data		AMTRON®			
Rated voltage $U_N$ [V] AC $\pm$ 10%		230	230	400	400
Rated frequency $f_N$ [Hz]		50			
Rated Current $I_{nA}$ [A]		16	32	16	32
Max. back-up fuse [A]		According to type label/ configuration			
Max. charging capacity mode 3 [kW]		3,7	7,4	11	22
Rated current of charging point mode 3 $I_{nC}$ [A]		16 - 1 ph	32 - 1 ph	16 - 3 ph	32 - 3 ph
Terminal strip supply line	Number of terminals	3	3	5	5
	Rated cross section (mm <sup>2</sup> )	rigid 3 x 6 flexible 3 x 4	rigid 3 x 10 flexible 3 x 6	rigid 5 x 6 flexible 5 x 4	rigid 5 x 10 flexible 5 x 6
	Tightening torque (Nm)	max. 0,8	max. 1,8	max. 0,8	max. 1,8
Rated insulation voltage $U_i$ [V]		500			
Rated impulse withstand voltage $U_{imp}$ [kV]		4			
Rated short circuit current $I_{cc}$ [kA]		10			
Rated diversity factor RDF		1			
Earth system		TN / TT			
EMC classification		A+B			
Protection class		II			
Degree of protection		IP 44: Permanently attached charging cable IP 54: Charging socket type 2 with hinged lid			
Overvoltage category		III			
Resistance to mechanical impact		IK 10			
Pollution degree		3			
Setting up		Indoor or outdoor			
Condition of installation		Stationary equipment			
Usage		AEVCS			
Mounting method		Wall mounted			
Dimensions H x W x D [mm]		475 x 259 x 220			
Weight [kg]		5 - 8,5			
Personal protection (RCD)*		40/0,03A, 2p, type B		40/0,03A, 4p, type B	
Load contactor		32A, 4p		16A, 3p 32A, 4p	
Standard		DIN EN 61851-1, DIN IEC / TS 61439-7			

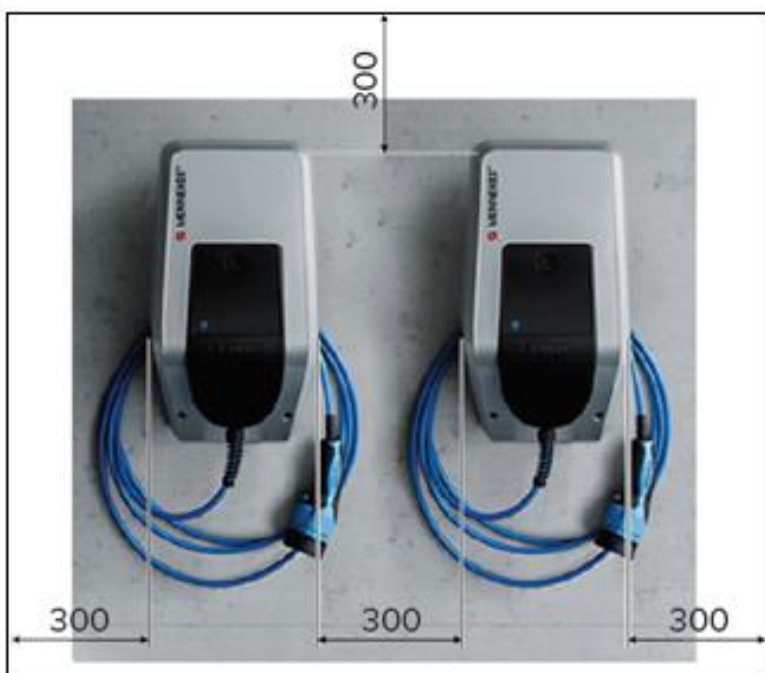
Environmental conditions	
Ambient air temperature	-25...+40 °C
Average temperature within 24 hours	< 35 °C
Altitude	Max. 2000m above sea level
Relative humidity	Max. 95 % (non-condensing)

\*Only valid for AMTRON® Basic R

## Dimensions [mm]



## Mounting distance [mm]



# References



Parking garage Hamburg warehouse district



Brochure „Charge up your day“

**MENNEKES**

Elektrotechnik GmbH & Co. KG

Aloys-Mennekes-Straße 1  
57399 KIRCHHUNDEM  
GERMANY

Phone: + 49 2723 41-1

Fax: + 49 2723 41-214

info@MENNEKES.de

**www.MENNEKES.com**

[www.chargeupyourday.com](http://www.chargeupyourday.com)