

AMTRON®

XTRA E/R, PREMIUM E/R

WALLBOX FOR ELECTRIC VEHICLES



MENNEKES AMTRON® designed for private and semi-public use

Variants

		RFID system	RFID system
	Personal protection		Personal protection
Calibrated digital energy meter	Calibrated digital energy meter	Calibrated digital energy meter	Calibrated digital energy meter
Charged energy quantity can be read out via charge APP	Charged energy quantity can be read out via charge APP	Charged energy quantity can be read out via charge APP	Charged energy quantity can be read out via charge APP
Statistic function via Charge APP	Statistic function via Charge APP	Statistic function via Charge APP	Statistic function via Charge APP
Charge APP via LAN / WLAN	Charge APP via LAN / WLAN	Charge APP via LAN / WLAN	Charge APP via LAN / WLAN
LED status display Stop button	LED status display Multifunction button	LED status display Stop button	LED status display Multifunction button

Xtra E

Xtra R

Premium E

Premium R

Charging socket type 2 with hinged lid

Order no.	Order no.	Order no.	Order no.
11 /22 kW * 1354401	11 kW 1354451	11 /22 kW * 1355451	3,7 /7,4 kW * 1355400 11 kW 1355401

Charging socket type 2 with shutter (version „T2S“)

Order no.	Order no.	Order no.	Order no.
3,7 /7,4 kW * 1354600 11 /22 kW * 1354601	3,7 /7,4 kW * 1344680 11 / 22 kW * 1344681	11 /22 kW * 1355601	3,7 /7,4 kW * 1345680 11 kW 1345681




7,5 meter permanently connected charging cable with connector type 2 (version „C2“)

Order no.	Order no.	Order no.	Order no.
7,4 kW 1354203 22 kW 1354202	22 kW 1354252	22 kW 1355252	22 kW 135522

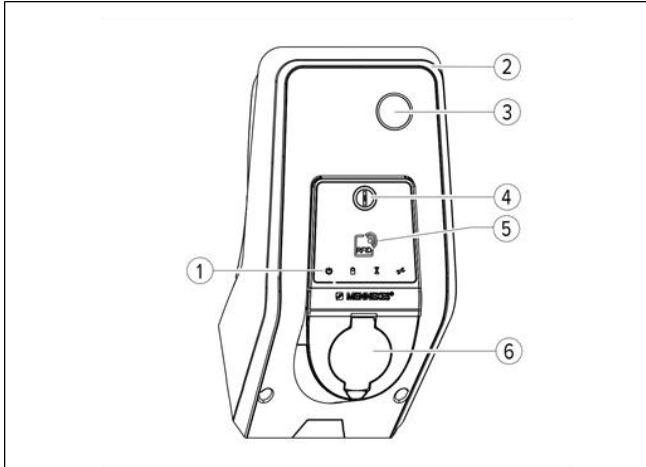


*If AMTRON is configured to more than 20A via the dip switches, all charging cables with less than ≤ 20A are rejected, which means that charging cannot be carried out. In this state only 32A cables are accepted.

Product features

- Overall
 - Mode 3 charging acc. to IEC 61851
 - Vehicle connectors and charging socket acc. to IEC 62196
 - Charging capacity up to 22kW, configurable by qualified personal
 - Unlocking function in case of grid failure (for devices with charging socket type 2)
 - Status information through LED info bar
 - Integrated cable suspension
- Authorisation
 - RFID authorization via local whitelist (up to 98 users) (only for Premium devices)
 - Whitelist management for RFID-cards
- Communication
 - Integration in the home network via LAN acc. to IEEE 802.3u (100BaseTX) and WLAN acc. to IEEE 802.11b, g, n (2,4 GHz)
 - RS485 interface for wired networking with a MENNEKES eMobility Gateway (only for Premium (E/R) devices)
 - Connection of intelligent energy management systems via Modbus TCP or SEMP
- Charge APP (download for free)
 -   
 - Authorization and visualization of charging processes
 - Display of the charged amount of energy and the energy costs
 - Data export of charging processes (file format: pdf and csv)
 - Operation modes: APP-control, time-controlled (internal), external tariff signal, Energy Manager
- Multifunction button
 - Stop function (adjustable parameters; deactivated by default)
 - RCD test (only with integrated RCD)
 - Re-activating of RCD (only with integrated RCD)
- Enclosure
 - Enclosure made of AMELAN®

Assembly

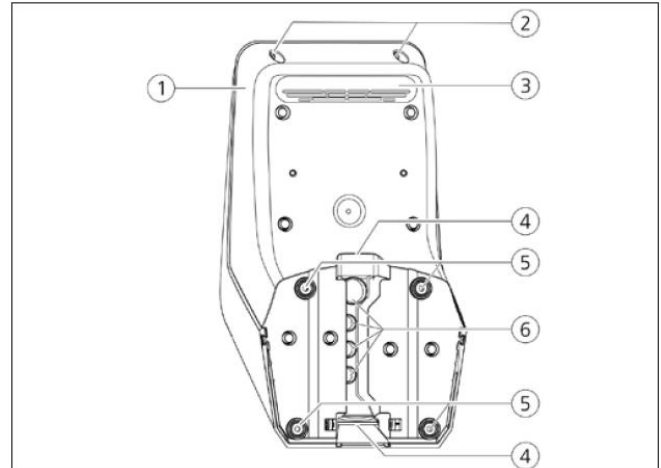
Frontansicht


1. LED Info bar
2. Upper enclosure section
3. Inspection window for energy meter
4. Multifunction button or stop button¹⁾
5. RFID card reader²⁾
6. Charging socket type 2 with hinged lid³⁾

1) depending on the variant

2) depending on the variant

3) depending on the variant

Rückansicht


1. Lower enclosure part
2. Fastening screws for upper housing part
3. Passive ventilation
4. Recess for supply line/ cable duct
5. Fastening holes
6. Cable entries

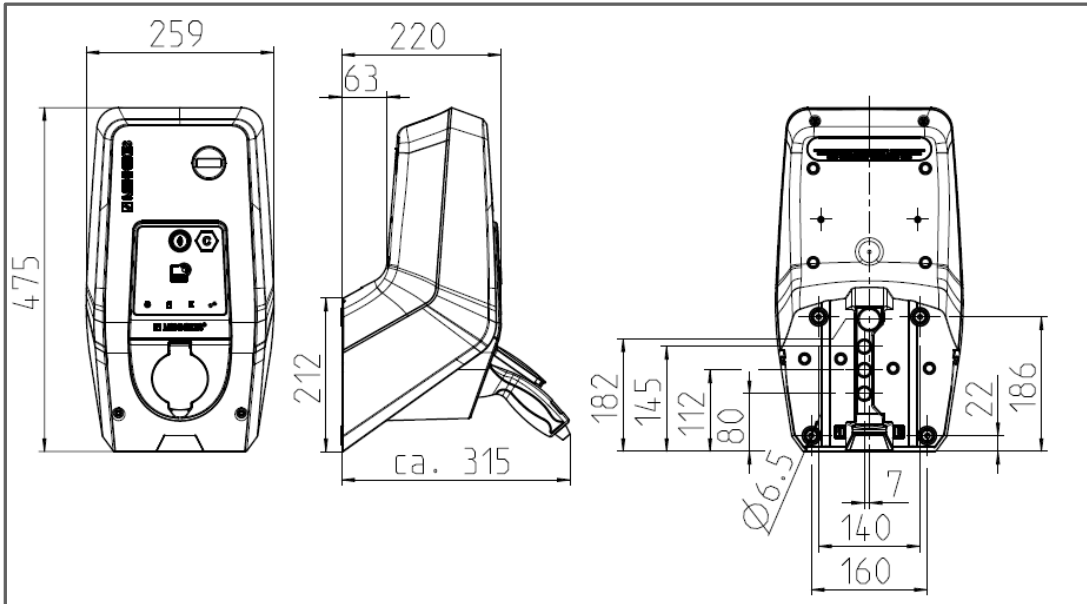
Technical data

Type-dependent data		AMTRON®			
Rated voltage U_N [V] AC $\pm 10\%$		230	230	400	400
Rated frequency f_N [Hz]		50			
Rated Current I_{nA} [A]		16	32	16	32
Max. back-up fuse [A]		According to type label/ configuration			
Max. charging capacity mode 3 [kW]		3,7	7,4	11	22
Charging current Mode 3 I_{nC} [A]		16 - 1 ph	32 - 1 ph	16 - 3 ph	32 - 3 ph
Terminal strip supply line	Number of terminals	3	3	5	5
	Rated cross section (mm ²)	rigid 3 x 6 flexible 3 x 4	rigid 3 x 10 flexible 3 x 6	rigid 5 x 6 flexible 5 x 4	rigid 5 x 10 flexible 5 x 6
	Tightening torque (Nm)	max. 0,8	max. 1,8	max. 0,8	max. 1,8
Rated insulation voltage U_i [V]		500			
Rated impulse withstand voltage U_{imp} [kV]		4			
Rated short circuit current I_{cc} [kA]		10			
Rated diversity factor RDF		1			
Earth system		TN / TT			
EMC classification		A+B			
Protection class		II			
Degree of protection		IP 44: Permanently attached charging cable IP 54: Charging socket type 2 with hinged lid			
Overvoltage category		III			
Resistance to mechanical impact		IK 10			
Pollution degree		3			
Setting up		Indoor or outdoor			
Condition of installation		Stationary equipment			
Usage		AEVCS			
Mounting method		Wall mounted			
Dimensions H x W x D [mm]		475 x 259 x 220			
Weight [kg]		5 - 8,5			
Personal protection (RCD)		40/0,03A, 2p, type B	40/0,03A, 4p, type B		
Control fuse (MCB)		6A, 2p, characteristic B			
Load contactor		16A, 3p	32A, 4p	16A, 4p	32A, 4p
Standard		DIN EN 61851-1, DIN IEC / TS 61439-7			

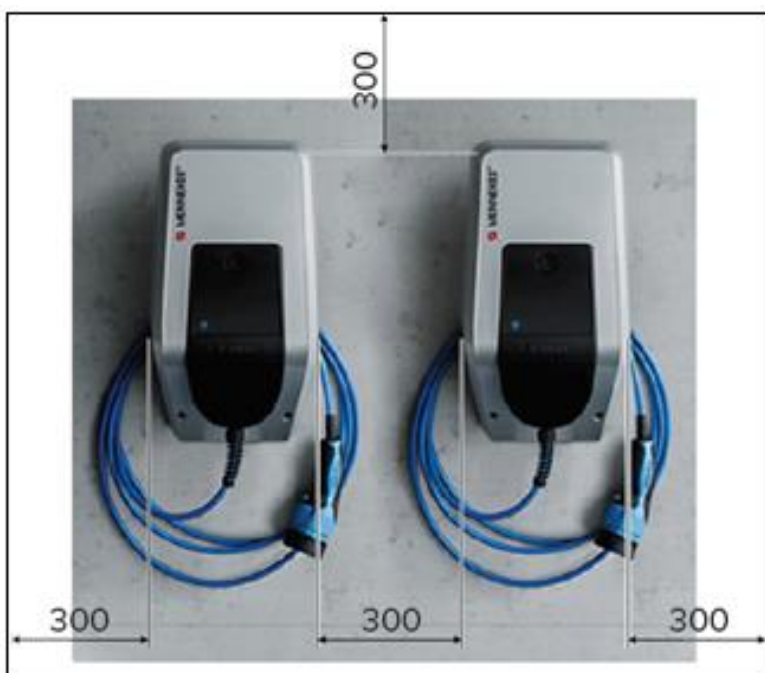
Environmental conditions	
Ambient air temperature	-25....+40 °C
Average temperature within 24 hours	< 35 °C
Altitude	Max. 2000m above sea level
Relative humidity	Max. 95 % (non-condensing)

The device is suitable for operation on the public low-voltage network in residential, commercial and light industrial areas. In areas with their own industrial low-voltage network, measures must be taken to ensure trouble-free operation of the device in the event of interference greater than that which is usual in the residential environment.

Dimensions [mm]



Mounting distance [mm]



References



Parking garage Hamburg warehouse district



Brochure „Charge up your day“

MENNEKES

Elektrotechnik GmbH & Co. KG

Aloys-Mennekes-Straße 1
57399 KIRCHHUNDEM
GERMANY

Phone: + 49 2723 41-1

Fax: + 49 2723 41-214

info@MENNEKES.de

www.MENNEKES.com

www.chargeupyourday.com